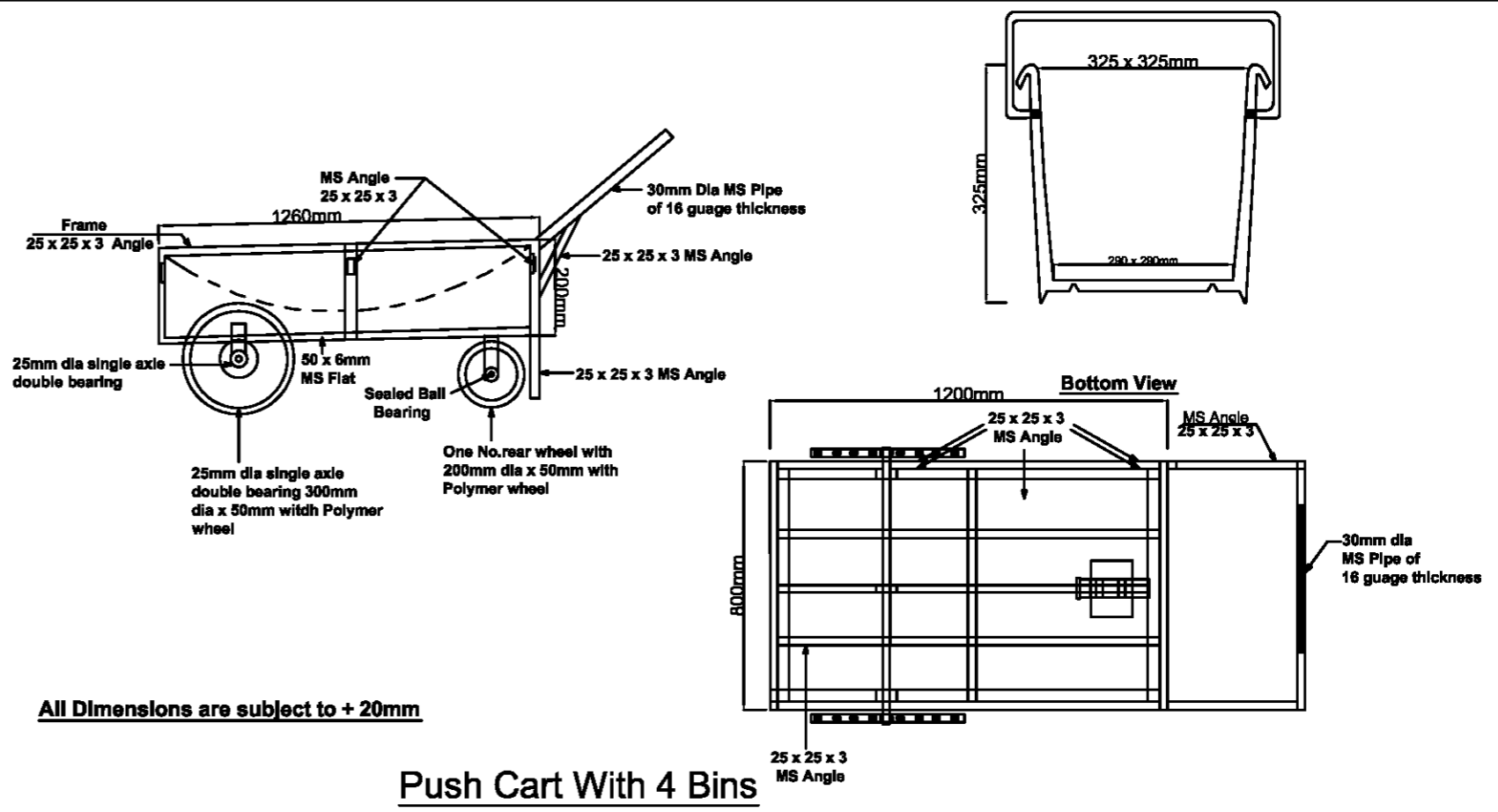
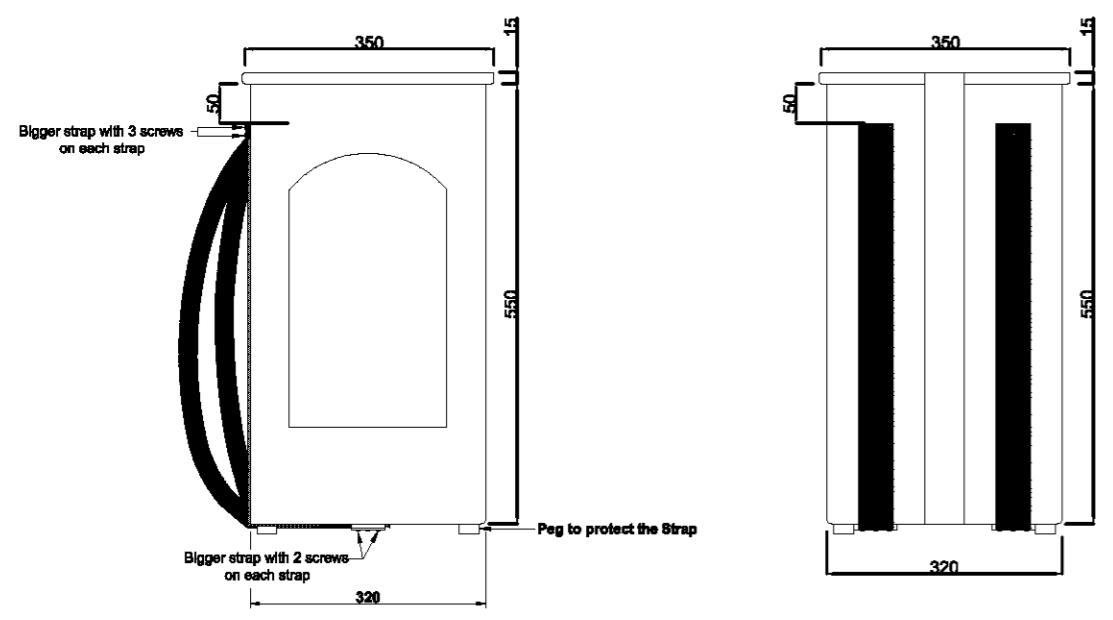


Pole Mounted Litter Bin 60L Capacity

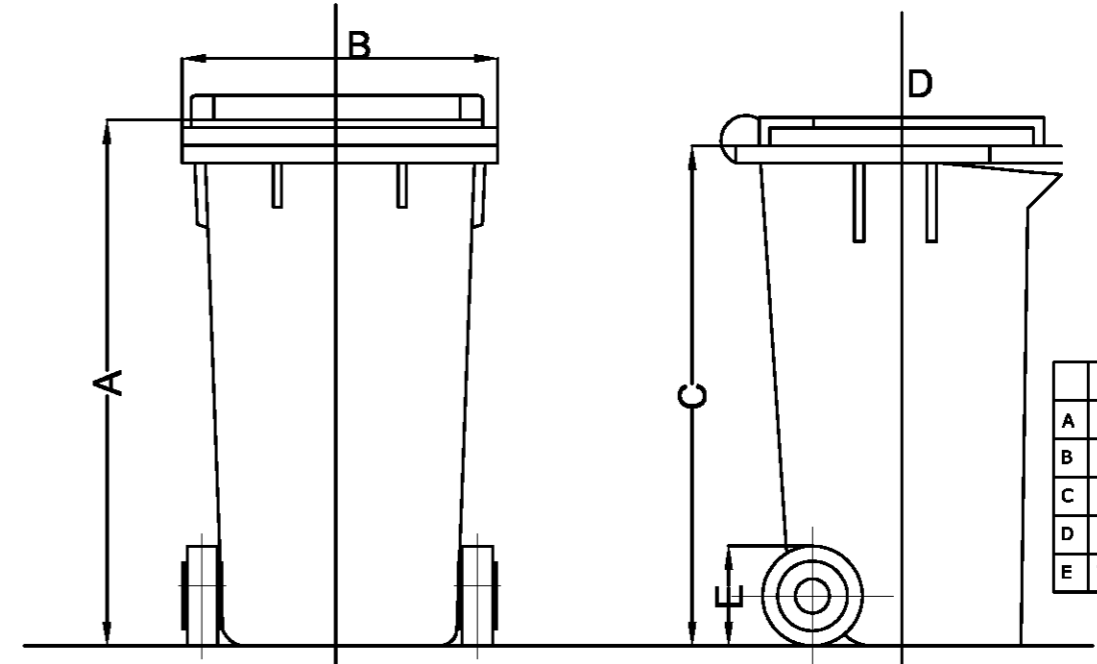


All Dimensions are subject to + 20mm

Push Cart With 4 Bins



**Shoulder Bin 60L Capacity
3.5 kg weight**



**Storage Bins
(120 L Capacity)**

LITTER BINS		120 L
A	Overall Height (mm)	935
B	Overall Width (mm)	480
C	Overall Depth (mm)	560
D	Upper Edge Comb (mm)	870
E	Wheel Diameter (mm)	200

Mott MacDonald

This document is issued for the implementing party and for specific purposes connected with the captioned project only. It should not be relied upon by any other party or used for any other purpose. We accept no responsibility for the consequences of this document being relied upon by any other party, or being used for any other purpose, or containing any error or omission which is due to an error or omission in data supplied to us by other parties.



2nd Floor, Bellevue Mansion
Opposite to Clinical Research
Unit (Tribal) for Homoeopathy
Shillong - 793001, Meghalaya, India

T +91 (0) 364 2505 446
F
W www.mottmac.com

Client
State Investment Program Management
and Implementation Unit (SIPMIU)
Government of Meghalaya

Rev	Date	Drawn	Description	Ch'k'd	App'd	Title
R0	01.02.2014	L.L	Detail Project Report	T.S	B.K.H	North Eastern Region Capital Cities Development Investment Programme For Shillong, Solid Waste Management Typical Detail of Various Type of Bins (Sheet 2 of 2)
						Drawing Number
						MMD-260652-C-DR-SW-00-0005

Drawn	L.Lyngdoh
Checked	T.S
Approved	B.K.H
Scale at A3	NTS
Status	Rev
DPR	R0