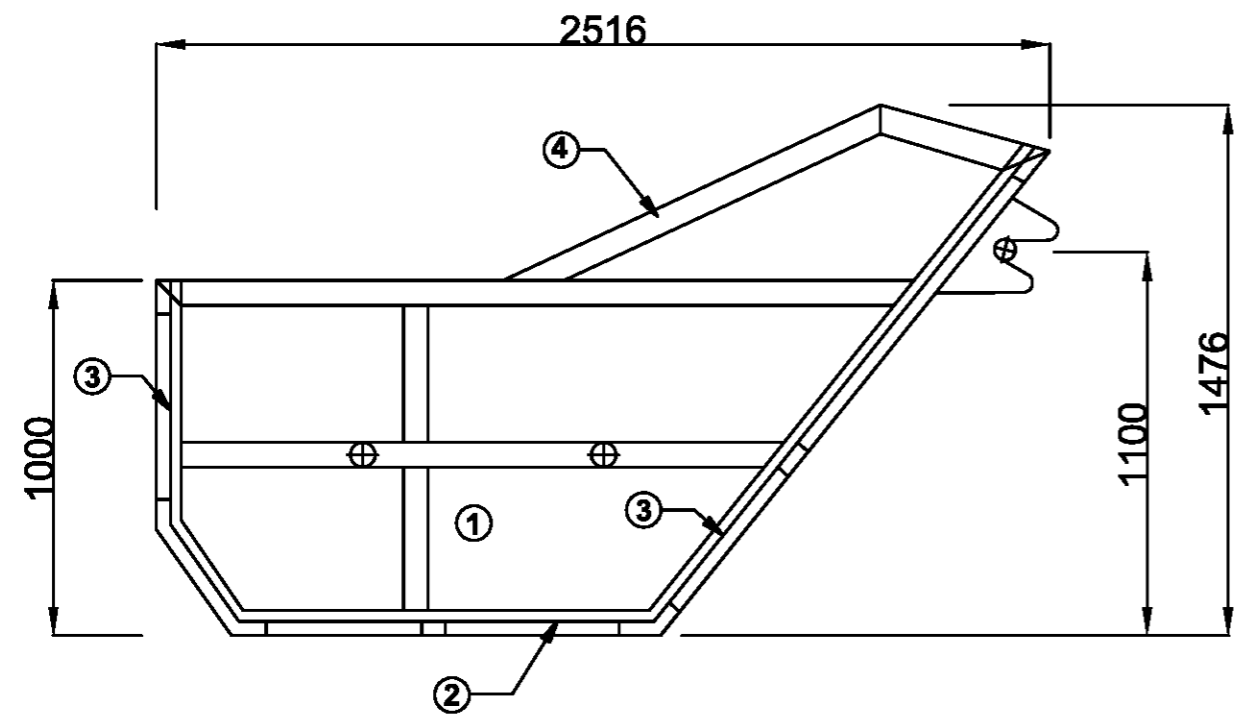



SIDE VIEW



LEGEND :-

- 1. SIDE PLATE** **3mm THK.**
- 2. BASE PLATE** **4mm THK.**
- 3. END PLATE** **3mm THK.**
- 4. PRESS CHANNEL** **75X40X3 THK.**

Mott MacDonald
 This document is issued for the implementing party and for specific purposes connected with the captioned project only. It should not be relied upon by any other party or used for any other purpose.
 We accept no responsibility for the consequences of this document being relied upon by any other party, or being used for any other purpose, or containing any error or omission which is due to an error or omission in data supplied to us by other parties.

 Mott MacDonald 2nd Floor, Bellevue Mansion T +91 (0) 364 2505 446 Opposite to Clinical Research F Unit (Tribal) for Homoeopathy W www.mottmac.com Shillong - 793001, Meghalaya, India	Client	Rev	Date	Drawn	Description	Ch'k'd	App'd	Title North Eastern Region Capital Cities Development Investment Programme For Shillong, Solid Waste Management Metallic Wheeled Bin of 2.50cum Capacity for Market and Transfer Point Drawing Number MMD-260652-C-DR-SWM-00-0005	Drawn	L.Lyngdoh	
	State Investment Program Management and Implementation Unit (SIPMIU) Government of Meghalaya	R0	01.02.2014	L.L		Detail Project Report	T.S		B.K.H	Checked	S.M
		R1	13.10.2014	L.L		Detail Project Report	S.M		S.K.S	Approved	S.K.S
										Scale at A3 NTS	
										Status	Rev
							DPR	R1			