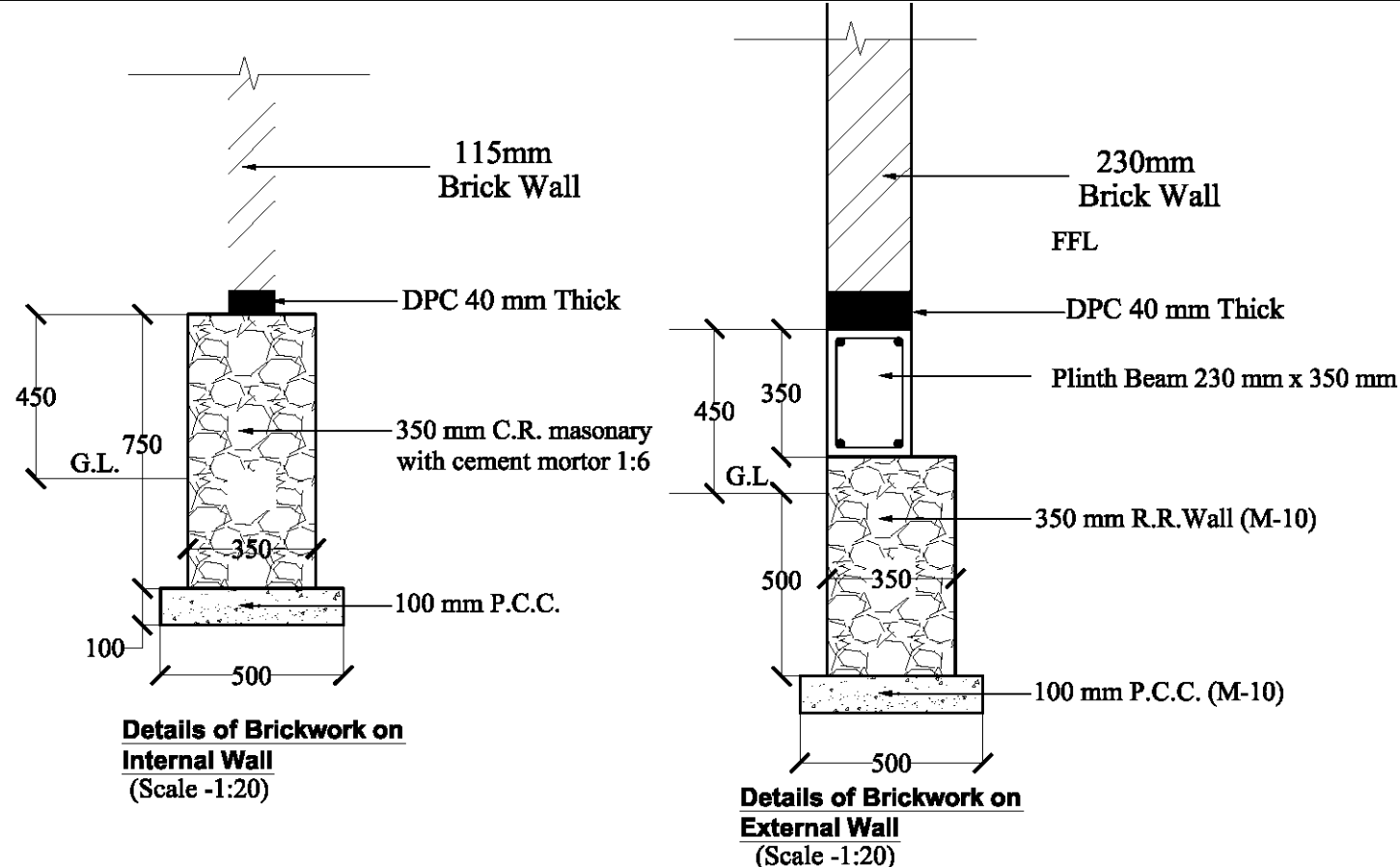
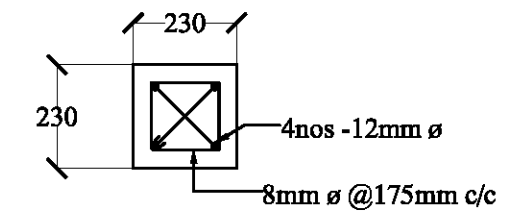


Plan

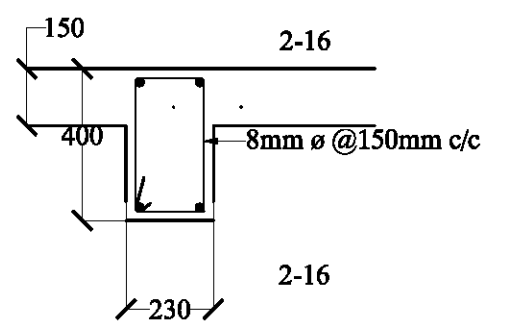


Details of Brickwork on Internal Wall
(Scale -1:20)

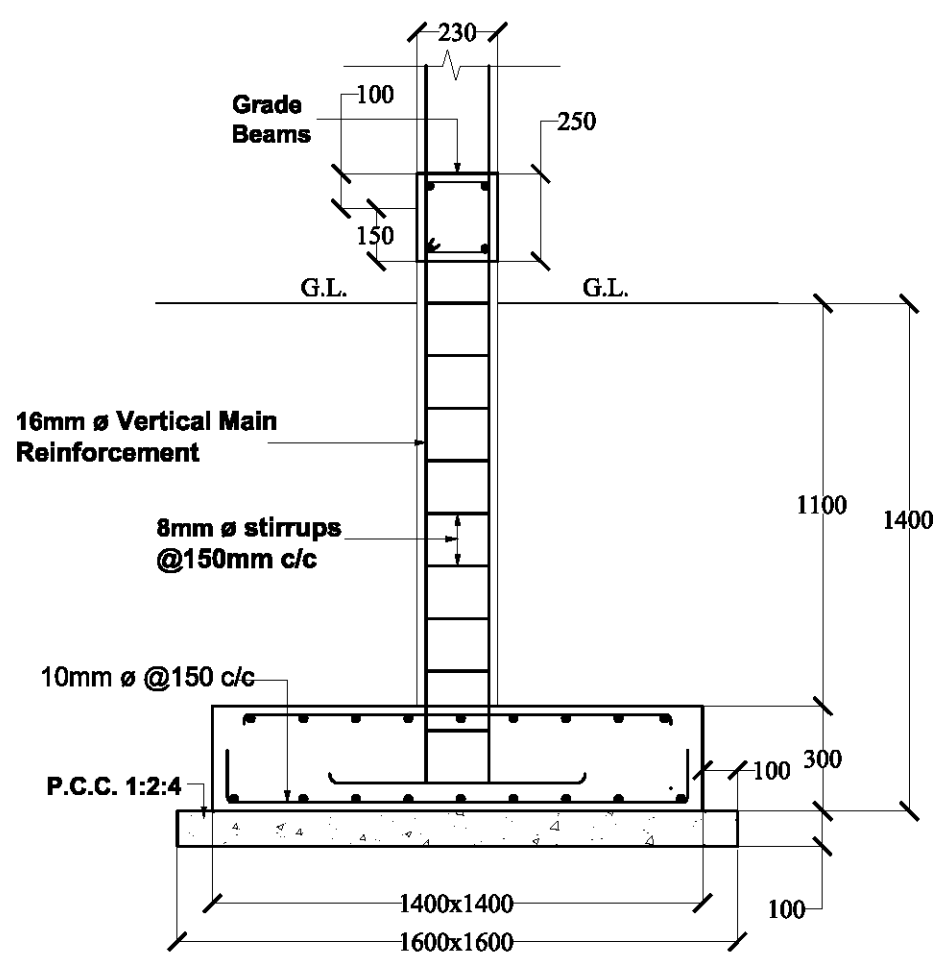
Details of Brickwork on External Wall
(Scale -1:20)



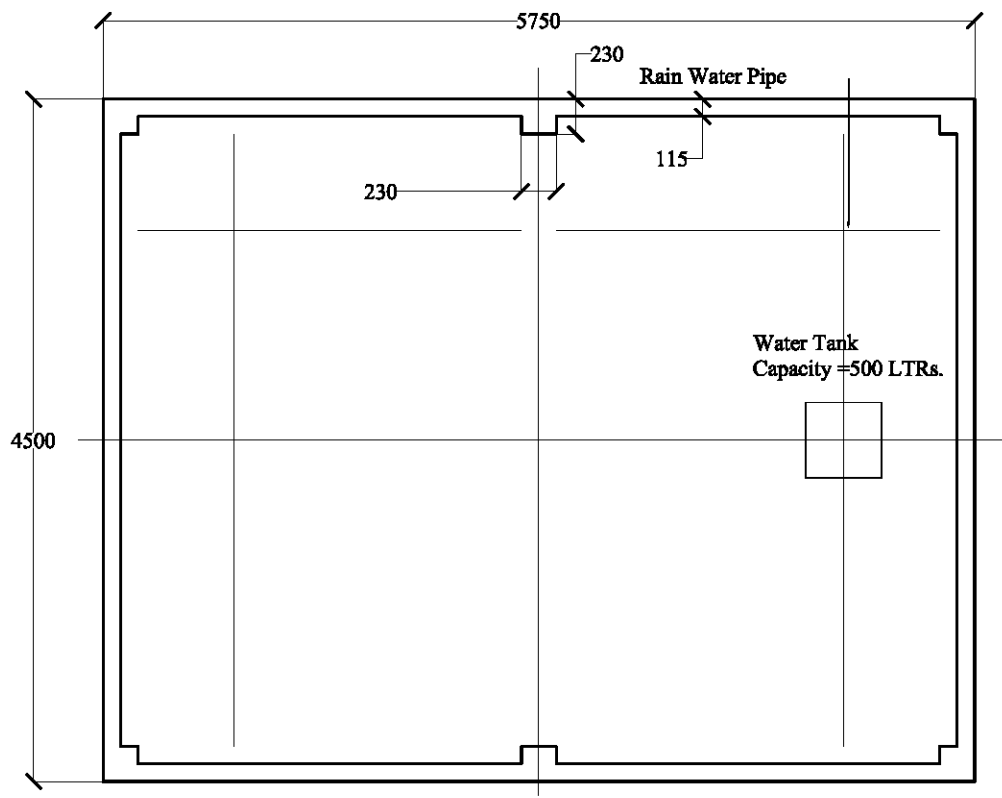
External Wall Lintel Beams
(Scale -1:20)



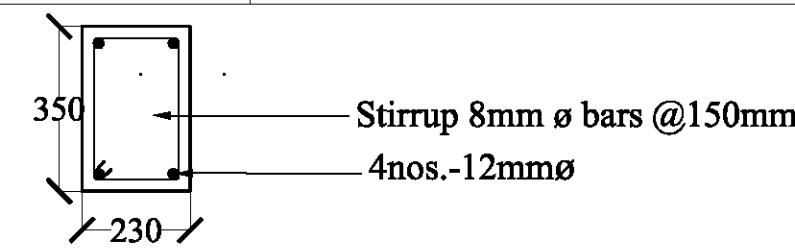
Roof Beams
(Scale -1:20)



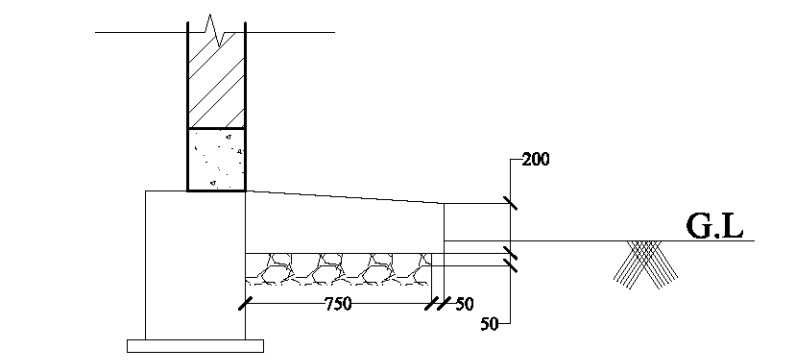
Cross Section Footing Details
(Scale -1:20)



Tarace Plan (Scale-1:50)



Grade Beams
(Scale -1:20)



Typical Plinth Protection

Mott MacDonald
2nd Floor, Bellevue Mansion
Opposite Clinical Research Unit
(Tribal) for Homoeopathy.
Malki - Dhankheti
Shillong - 793001,
Meghalaya, India
T +91 (0) 364 2505 446
F
W www.mottmac.com

Client
State Investment Program Management
and Implementation Unit (SIPMIU)
Government of Meghalaya

Rev	Date	Drawn	Description	Ch'k'd	App'd
R1	25.05.12	DT	For DPR	AP	DRC
R2	27.05.13	LL	For DPR	KK	BKH
R3	04.01.14	LL	Issued for Tender	DKC	BKH

Title
North Eastern Region Capital Cities
Development Investment Programme
For Shillong, Solid Waste Management
Details of Weigh Bridge, Phase-II
under Tranche - II (Sheet 2 of 2)

Drawn	D.T
Checked	A.P
Approved	D.R.C
Scale at A3 AS SHOWN	
Drawing Number	Status
MMD-260652-C-DR-00-SWM-0009	TEN
Rev	R3